

Statutory Instrument No. 148 of 1974

ROAD TRAFFIC ACT, 1972
(43 of 1972)

**ROAD TRAFFIC (SPEED LIMITS FOR SPECIFIED VEHICLES)
REGULATIONS, 1974**

(Published on the 29th November, 1974)

IN EXERCISE of the powers conferred by section 127 of the Road Traffic Act, 1972, the Minister of Works and Communications hereby makes the following Regulations --

Citation **1.** These Regulations may be cited as the Road Traffic (Speed Limits for Specified Vehicles) Regulations, 1974.

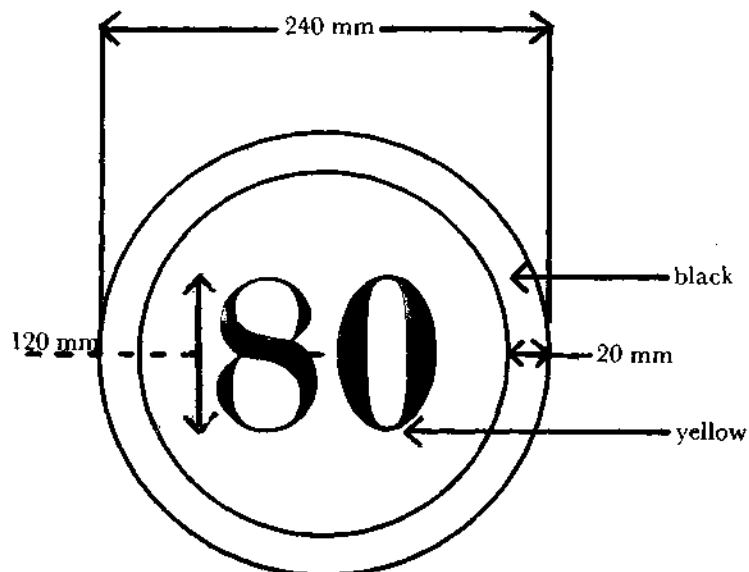
Speed limit for certain classes of vehicles **2.** (1) The maximum speed at which any vehicle of the type or class specified in the first column of the First Schedule may be driven on any road shall be that respectively specified in relation thereto in the second column of the said First Schedule.

(2) The sign required by section 44 (2) of the Act to be painted or affixed to a vehicle shall be circular, with a diameter of 240 mm, with a black border, 20 mm. in width, with the appropriate maximum speed in black numerals, 120 mm. high, on a yellow background, and generally conform with the sign set out in the Second Schedule.

FIRST SCHEDULE

<i>Vehicle</i>	<i>Maximum speed</i>
Motor omnibuses	80 k.p.h.
Heavy Commercial Vehicles	80 k.p.h.
Motor cars towing caravans	80 k.p.h.
Tractors and other motor vehicles designed, constructed or adapted for the maintenance and construction of roads	30 k.p.h.

SECOND SCHEDULE



MADE this 21st day of November, 1974.

L.D. LEKALAKE,
*Permanent Secretary,
Ministry of Works and Communications.*